



**PERFORMANCE DATA SHEET  
NEMA PREMIUM NR CAN NEMA 12 - 12**

Catalogue #: MQP-107

HP	kW	Voltage	S.F. @ 60Hz	EFF.	P.F.	Frame	Design	L.R. Amps
300	223,80	460	1,15	96,2%	0,87	449T	B	2200

60 Hz								Code	F.L. RPM
208	230	416	460	480	575	600			
/	/	/	335,00	/	/			G	1790

50 Hz								
FLA			S.F. @ 50Hz	Efficiency	Power Factor	Code	F.L. RPM	
190	380	415						
/	411		1,00	95,0%	0,870	D	1488	

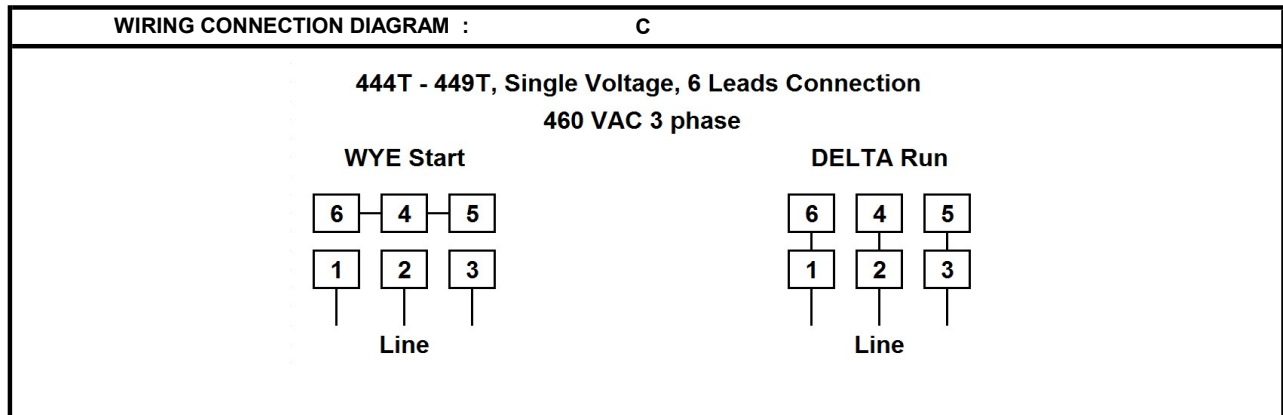
Wgt. Lbs	PH	Duty	Insul. Class	Amb.	Elevation	Temp. Rise° C
2220	3	Cont.	F	40°C	1000M (3,300 Ft)	< 80

% Efficiency		% Power Factor		Torque		Winding Resist. Ω	Safe Cold Start (Secs)
Full Load:	96,2%	Full Load:	0,87	Full Load Ft/Lbs	880,2		
3/4 Load:	96,0%	3/4 Load:	0,86	Locked Rotor %	140		
1/2 Load:	95,6%	1/2 Load:	0,80	Break Down %	245		

Rotor Inertia Wk2 Lb-Ft2	Max Load Inertia Wk2 Lb-Ft2	Shaft Material	Frame Material	DE Bracket Type	ODE Bracket Type	Enclosure	NEMA Rating	Lead Wire Size
94,92	1500	1045	Cast Iron	Cast Iron	Cast Iron	TEFC	IP55	1AWG

Ball Bearings		Grease	Mount Type	Orientation	Paint	Sound Pressure @ 3FT	Sound Power
DE	ODE						
NU319	6318	Mobil PolyrexEm	Rigid	Horizontal	RAL6022	93	105

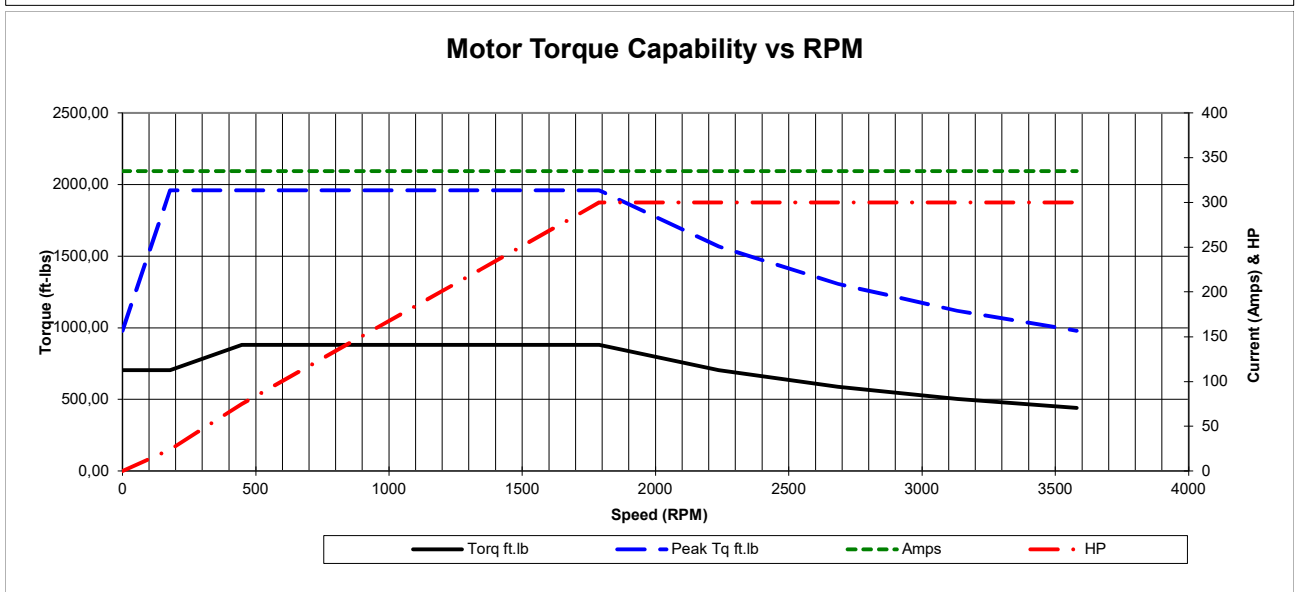
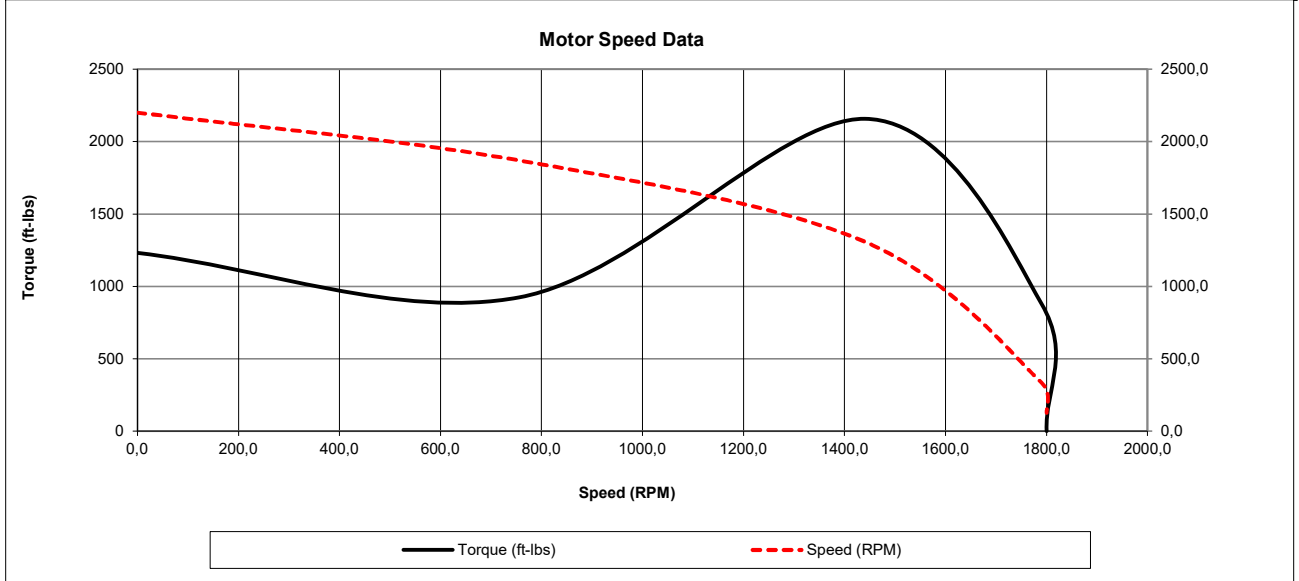
Inverter Duty, Motor meets MG1 parts 31.4.4.2	VFD SF	Constant Torque Range	Variable Torque Range	Constant HP RPM
	1,00	10:1	20:1	2700



Date: 2023-12-13  
 Customer: \_\_\_\_\_  
 Contact: \_\_\_\_\_  
 Submittee: J.C. Lavallée

Catalogue #: MQP-107

NEMA PREMIUM NR CAN NEMA 12 - 12										
HP	VAC	RPM	Enclosure	Frame	Frequency	Design	Poles	LR Code Letter	Insulation Class	Temp. Rise °C
300	460	1790	TEFC	449T	60 Hz	B	4	G	F	< 80
	0Hz	6Hz	15Hz	30Hz	45Hz	60 Hz	75Hz	90Hz	105Hz	120Hz
Amps	335	335	335	335	335	335	335	335	335	335
RPM	0	179	447,5	895	1342,5	1790	2237,5	2685	3132,5	3580
Torq ft.lb	704,18	704,18	880,22	880,22	880,22	880,22	704,18	586,82	502,98	440,11
Peak Tq ft.lb	979,25	1958,50	1958,50	1958,50	1958,50	1958,50	1566,80	1305,66	1119,14	979,25
HP	0	24,0	75,0	150,0	225,0	300,0	300,0	300,0	300,0	300,0
	Locked Rotor	Pull-Up	Breakdown	Rated Load	Idle	Duty	S. F.	Ambient	Elevation	dBA @ 1M
Speed (RPM)	0,0	756	1440	1790	1800	Continuous	1,15	40°C	3,300 ft	93
Current (Amps)	2200,0	1870,0	1309,0	335,0	127,3	VFD Rating: Meets MG1 parts 31.4.4.2				
Torque (ft-lbs)	1232,3	924,2	2156,5	880,2	0,0	C.T.	10:1	V.T.	20:1	VFD SF 1.00





Date: 2023-12-13  
 Customer: \_\_\_\_\_  
 Contact: \_\_\_\_\_  
 Submittee: J.C. Lavallée

Catalogue #: MQP-107

NEMA PREMIUM NR CAN NEMA 12 - 12										
HP	VAC	RPM	Enclosure	Frame	Frequency	Design	Poles	LR Code Letter	Insulation Class	Temp. Rise °C
300	460	1790	TEFC	449T	60 Hz	B	4	G	F	< 80

Load %	0%	25%	50%	75%	100%	125%	150%
Amps	127,30	110,55	198,32	261,64	335,00	422,02	518,68
Torq ft/lbs	0	219,14	438,89	659,25	880,22	1101,82	1324,03
RPM	0	1797,5	1795	1792,5	1790	1787,5	1785
Eff	0	94,39	95,60	96,00	96,20	94,69	94,32
PF	0	67,3	80	86	87	87,87	86,13

	Locked Rotor	Pull-Up	Breakdown	Rated Load	Idle	Duty	S. F.	Ambient	Elevation	dBa @ 1M
Speed (RPM)	0	756	1440	1790	1800	Continuous	1,15	40°C	3,300 ft	93
Current (Amps)	2200	1870,0	1309,0	335	127,3	VFD Rating: Meets MG1 parts 31.4.4.2				
Torque (ft-lbs)	1232,31	924,23	2156,55	880,22	0,0	C.T.	10:1	V.T.	20:1	VFD SF 1.00

